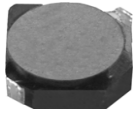


# PRH2D11AHP



### FEATURES 特点

- \* Excellent solderability and high heat resistance  
良好的可焊性和高耐热性

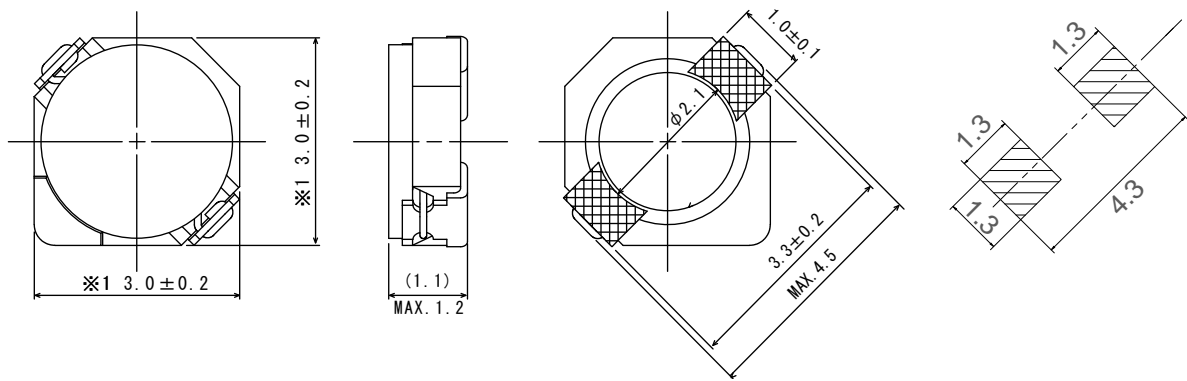
### APPLICATION 用途

- \* DC / DC 转换器

### MEASURING FREQUENCY 测试频率

- \* 100KHz 0.3V

### Shapes And Dimensions 外形及尺寸示意图



### Electrical Characteristics 电气性能

Type 型號	Indicate 表示	Inductance 電感值	D.C.R(Max) 直流電阻(毫欧)	Rated Current(Max) 額定電流(A)
PRH2D1 1AHP-1R5	1R5	1.5 $\mu$ H $\pm$ 30%	80(64)	1.35
PRH2D1 1AHP-2R2	2R2	2.2 $\mu$ H $\pm$ 30%	120(96)	1.10
PRH2D1 1AHP-3R3	3R3	3.3 $\mu$ H $\pm$ 30%	135(108)	0.90
PRH2D1 1AHP-4R7	4R7	4.7 $\mu$ H $\pm$ 30%	238(190)	0.75
PRH2D1 1AHP-6R8	6R8	6.8 $\mu$ H $\pm$ 30%	371(297)	0.63
PRH2D1 1AHP-100	100	12.0 $\mu$ H $\pm$ 30%	559(447)	0.52

\* SPQ:1000PCS/REEL